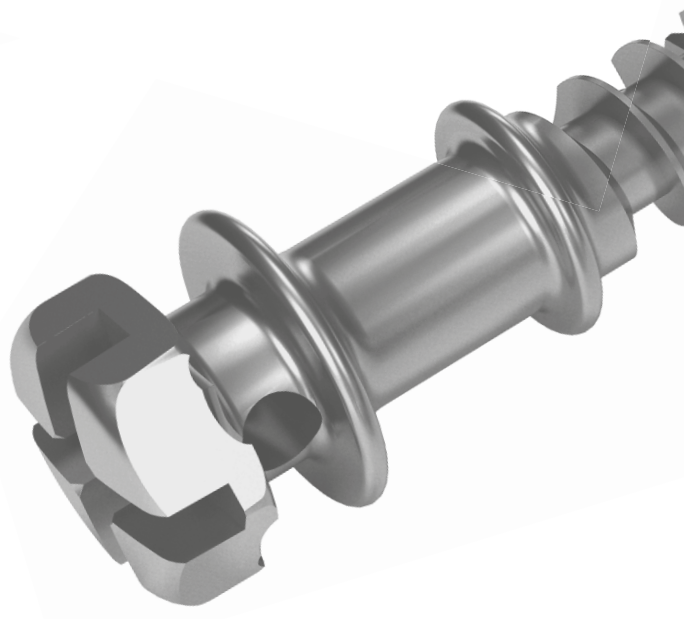
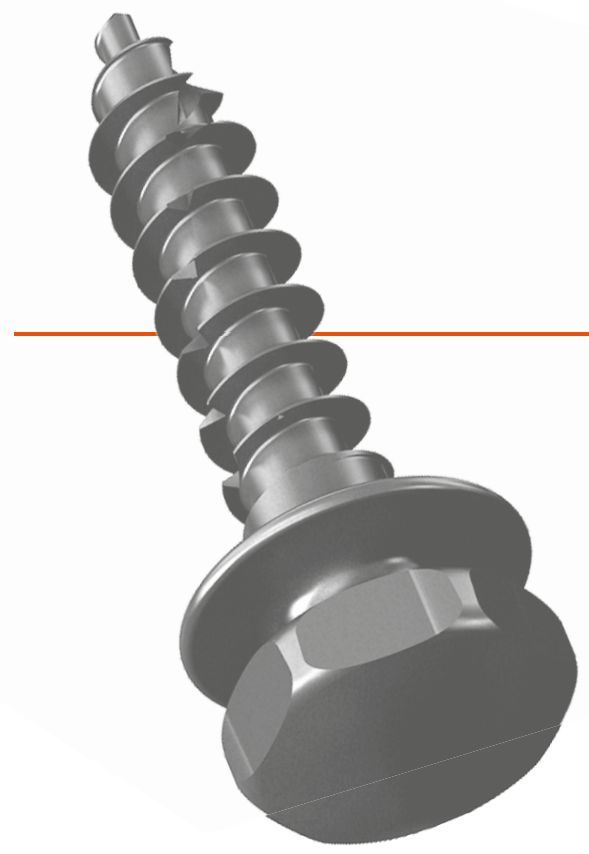


Ancotek

Orthodontic anchorage





“ Reveal the
personality
of your **patients**



Global D is a French company which specialises in the design, manufacture and supply of high quality **medical devices** for maxillofacial and pre-implant surgery, orthodontics and dental implantology.

We are passionate about what we do, and we develop **close relationships with our customers**. In addition to our products, which we develop in close collaboration with experienced surgeons, we support all our users in developing their skills. With this in mind we have set up a large network of colleagues, and we offer a variety of events, meetings and training courses to give our customers the **opportunity to share their knowledge**.

We also make every effort to ensure the **professionalism** and **expertise of our teams**, who are responsible for providing advice and service to the surgeons who use our products.

With the remarkable synergy between our areas of activity, we provide high added value in terms of expertise in the field of bone surgery devoted to facial harmony and an attractive smile.

Global D - ZI de Sacuny
118 av. Marcel Mérieux - 69530 Brignais - FRANCE
tél. +33(0)4 78 56 97 00 - fax +33(0)4 78 56 01 63
www.globald.com



Performance for your expertise

A commitment to service

Because the patient is your priority.

Our mission: to provide you with solutions and management systems to make your work easier day to day.

For maxillofacial surgery, a loan system guarantees the availability of equipment for your procedures. With a simple phone call, we handle the preparation, packaging, delivery, and collection of the products, freeing you from logistical constraints.

Global D adapts to your practice and guarantees a responsive service.

A personalised response: marketing and administrative team provides assistance from 8.30 am to 6.00 pm from Monday to Friday (local time).

The product commitment

Because the product should be at the service of your practice.

Each of our product lines comprises ergonomic devices, which are adapted to the development of your technique.

Our products, coloured by anodic oxidation, are easily identifiable and offer increased safety during the installation phase.

The quality commitment

Because customer satisfaction is everybody's business.

Always attentive to the need of practitioners, our teams commit their energy to continually optimize our services, procedures, and support, above and beyond simple compliance with the regulatory standards.

INTRODUCTION	5
Technical specificities.....	5
THE MINI-SCREWS	6
The concept.....	6
Presentation.....	7
Vestibular pin-head screw.....	8
Palatal pin-head screw.....	9
Bracket screw.....	10
Cross-drive screw.....	11
Screw for «Short Cortical» technique.....	12
ANCILLARY EQUIPMENT	13
Optional instruments.....	13
THE PLATES	14
The concept.....	14
Presentation.....	15
T-shaped plate.....	16
I-shaped plate.....	17
THE KIT	18
Standard composition of the kit.....	18

The products presented are CE-marked class **I, IIa and IIb** Medical Devices intended for healthcare professionals in Orthodontic. They are intended for fixation to the jawbone during orthodontic treatment. The CE conformity assessment was carried out by Notified Body **CE0476**, for class **IIa and IIb** medical devices.

Please consult the instructions for use before use. The instructions for use are available in electronic form. A QR code and a URL link can therefore be found on the device label. The paper instructions for use are nevertheless available on simple request to the following address: quality@globald.com and at no extra charge within 7 days.

All devices are available internationally, subject to approval in the countries concerned.

In case of doubt, or for any further information, please contact the **Global D** sales department.

Why choose titanium?

All the mini-screws and anchorage plates supplied by Global D are made of titanium.




This metal has numerous advantages, including:

- Malleable without shape memory,
- Excellent mechanical resistance,
- Biocompatibility,
- Non-magnetic with no artefacts on radiography.

A colour code has been devised to enable rapid and simple identification of the diameters of the mini-screws.

Titanium is anodised, which is an electrolytic oxidation process for ionic alteration of the surface, thus enabling various colours without the addition of other materials.

Color code

	1,2 mm
	1,5 mm
	2 mm



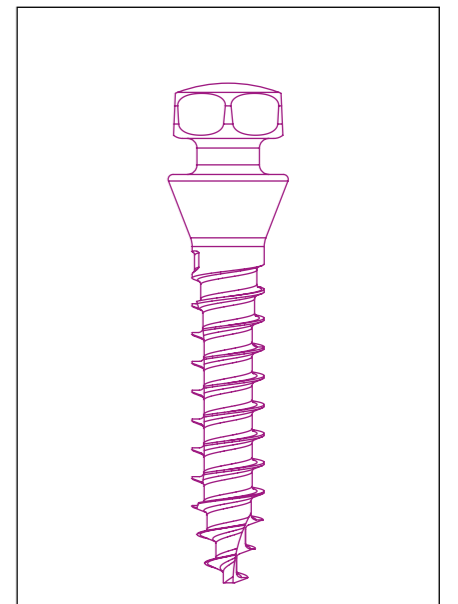
A self-drilling screw thread

With a product range created in 2005, Global D and its position as a leader in Maxillofacial Surgery, has put all its technical expertise at the service of mini anchoring screws.

The quality of the self-drilling thread of the osteosynthesis screws has been applied to all anchorage mini-screws.

The asymmetric thread has wider wings for better primary bone fixation. The screw tip has been sharpened to ensure the thread penetration into the bone. In addition, the quality of the self-drilling results in improved evacuation of the shavings and thus improves the penetrating power of the screw.

In areas with high bone density (type D1/D2), particularly mandibular, pre-drilling of the cortical bone is recommended to facilitate insertion.



ANCHORAGE MINI-SCREWS



The concept

Orthodontic mini-screws provide a stable, temporary bone anchorage (TBO) independent of the teeth.

They allow for optimal biomechanical control while minimizing the side effects associated with conventional anchorage.

The use of bone anchorage allows for:

- greater control of tooth movement,
- the implementation of complex orthodontic mechanics,
- a more comprehensive therapeutic response.

Mini-screws are thus integrated as a key element of modern treatment strategies, either as a complement to or replacement for traditional anchorage.

Presentation

A complete range

- Wide panel of screw heads
- Self-drilling thread
- Identification of the diameter by colour code
- Simple and ergonomic associated handling tools
- A range of less disruptive ancillary equipment is available upon request.

Color code

■	1,2 mm
■	1,5 mm
■	2 mm

Tightening torque

The maximum permitted tightening torque to be used, depending on the initial screw diameter (in mm) is :

	Ø Screw	Max. torques (motor)
Self-drilling	Ø1.2	10N.cm
	Ø1.5	15N.cm
	Ø2.0	50N.cm

Transmucosal anchorage

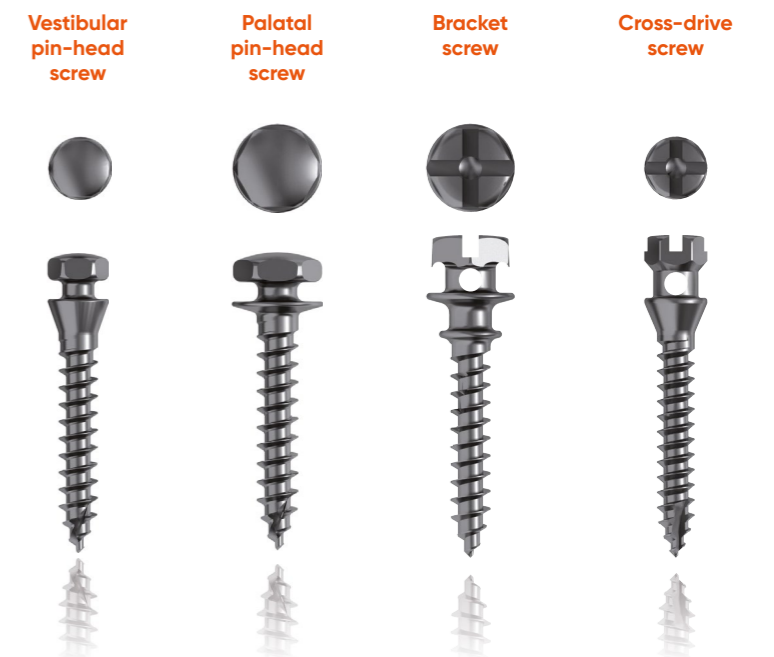
Recommended drilling and screwdriving speed:

Pre-drilling and screwdriving speed

Pre-drilling: recommended speed between 400 and 600 rpm (500 rpm advised), with irrigation to limit bone heating.

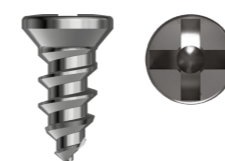
Contra-angle screwing: recommended between 10 and 20 rpm, allowing optimal control of insertion and better primary stability.

These values are given for guidance purposes only. The practitioner remains solely responsible for adapting the parameters according to the clinical context and the technique used.

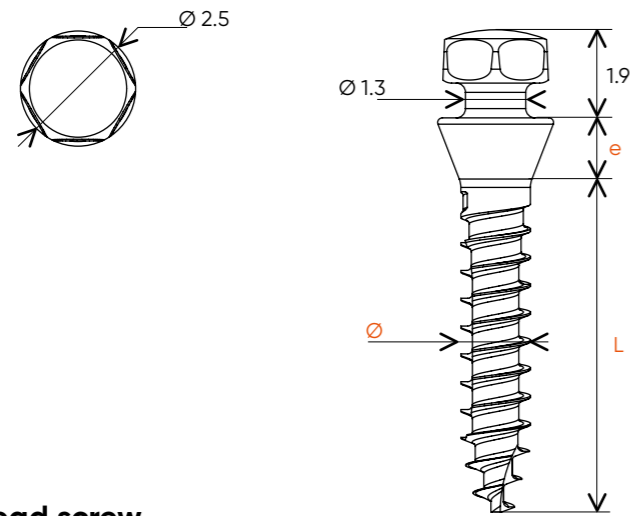


Submucosal anchorage

Screw for «short cortical and buried» techniques



Vestibular pin-head screw



Vestibular pin-head screw

Color code	Diameter Ø	Ledge «e»	Package	Ref. number		Associated drill bit
				L 7 mm	L 9 mm	
■	1.2 mm	1.5 mm	Non stérile	OVTPCV1.2L7	OVTPCV1.2L9	FOS0.8
			Stérile*	EVTPCV1.2L7	-	
■	1.5 mm		Non stérile	OVTPCV1.5L7	OVTPCV1.5L9	FOS1.1
			Stérile*	EVTPCV1.5L7	EVTPCV1.5L9	

* EASYTEK ANCOTEK sterile pack



- Tracability via batch number
- The ergonomics and the simplicity of the pack
- A « ready to use » solution of a sterile product
- Easy impaction of the screw

Handling tools: specific ancillary materials

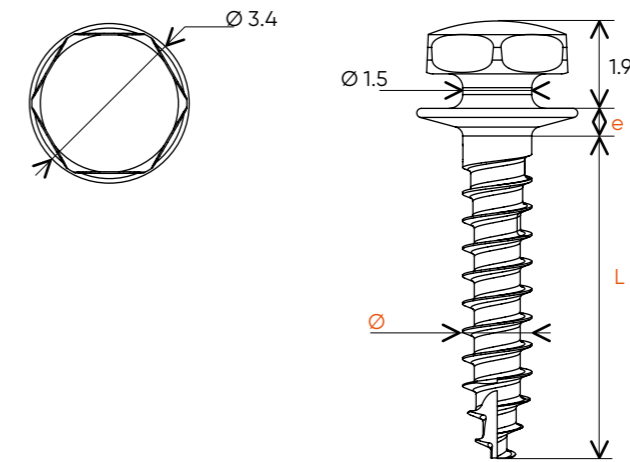
Description	Diameter of associated screw	Length	Ref. number
Bell wrench for screwdriver	1.2 mm 1.5 mm	Extra-long	AXLCC2.2
		Short	ACC2.2
Contra-angle bell wrench		Extra Short	AXCC2.2
Manual bell wrench		Short	ACCM2.2
Ratchet wrench (see page 13)			DCCLIC2

Auxiliary:

Not provided by Global D,
Standard attachment auxiliaries

- Elastomeric chain
- Elastic
- Metal ligature
- NiTi spring

Palatal pin-head screw



Palatal pin-head screw

Color code	Diameter Ø	Ledge «e»	Package	Ref. number		Associated drill bit
				L 7 mm	L 9 mm	
■	1.2 mm	0.6 mm	Non stérile	OVTPCP1.2L7	OVTPCP1.2L9	FOS0.8
			Stérile*	EVTPCP1.2L7	-	
■	1.5 mm		Non stérile	OVTPCP1.5L7	OVTPCP1.5L9	FOS1.1
			Stérile*	EVTPCP1.5L7	EVTPCP1.5L9	

* EASYTEK ANCOTEK sterile pack



- Tracability via batch number
- The ergonomics and the simplicity of the pack
- A « ready to use » solution of a sterile product
- Easy impaction of the screw

Handling tools: specific ancillary materials

Description	Diameter of associated screw	Length	Ref. number
Bell wrench for screwdriver	1.2 mm 1.5 mm	Extra-long	AXLCC3
		Short	ACC3
Contra-angle bell wrench		Extra Short	AXCC3
Manual bell wrench		Short	ACCM3
Ratchet wrench (see page 13)			DCCLIC2

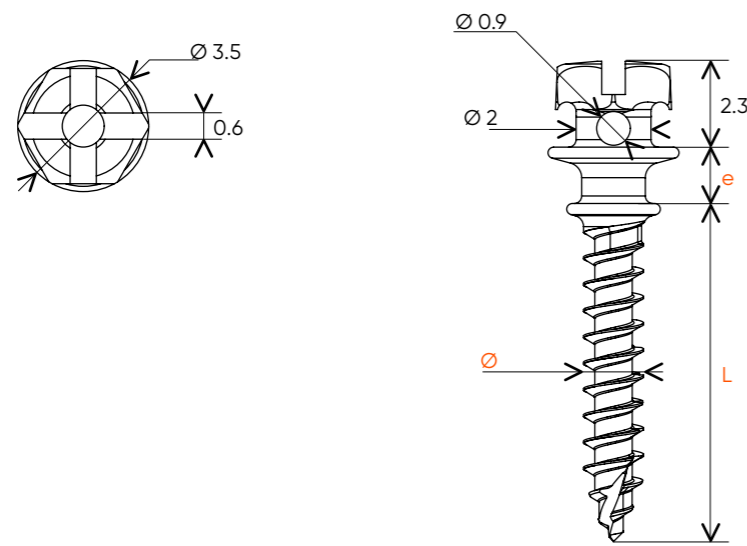
Auxiliary:

Not provided by Global D,
Standard attachment auxiliaries

- Elastomeric chain
- Elastic
- Metal ligature
- NiTi spring

Bracket screw

Transmucosal anchorage



Bracket screw

Color code	Diameter Ø	Ledge «e»	Ref. number			Associated drill bit
			L 7 mm	L 9 mm	L 11 mm	
■	1.5 mm	1.5 mm	OVB1.5L7F1.5	OVB1.5L9F1.5	-	FOS1.1
	2 mm	3 mm	OVB2L7F1.5	OVB2L9F1.5	-	
OVB2L9F3			OVB2L11F3			

Handling tools: specific ancillary materials

Description	Diameter of associated screw	Length	Ref. number
Bell wrench for screwdriver	1.5 mm 2 mm	Extra-long	AXLCC3
		Short	ACC3
Contra-angle bell wrench		Extra Short	AXCC3
Manual bell wrench		Short	ACCM3
Ratchet wrench (see page 13)			DCCLIC2

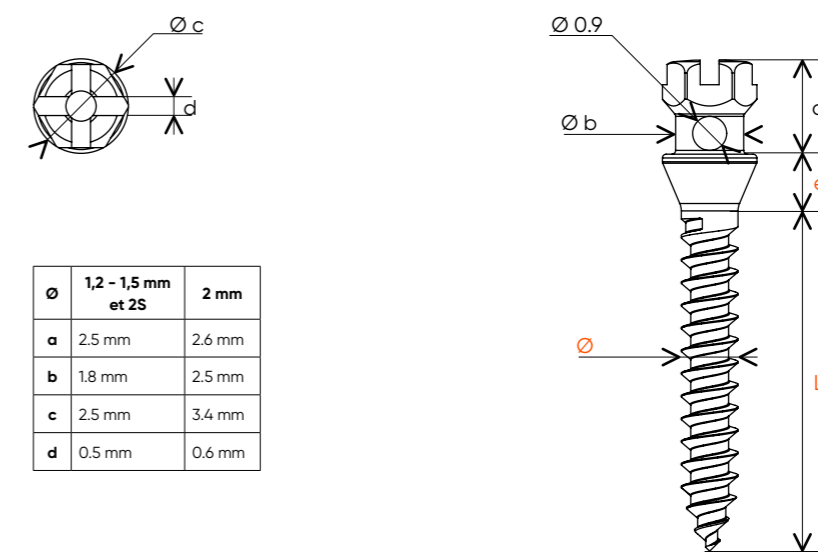
Auxiliary:

Not provided by Global D,
Standard attachment auxiliaries

- Elastomeric chain
- Metal ligature
- 0.0215 x 0.0215 TMA arch
- Rectangular arch
- 0.022 x 0.028 or round 0.022
- NiTi spring

Cross-drive screw

Transmucosal anchorage



Ø	1,2 - 1,5 mm et 2S	2 mm
a	2.5 mm	2.6 mm
b	1.8 mm	2.5 mm
c	2.5 mm	3.4 mm
d	0.5 mm	0.6 mm

Cross-drive screw

Color code	Diameter Ø	Ledge «e»	Ref. number			Associated drill bit
			L 7 mm	L 9 mm	L 11 mm	
■	1.2 mm	1.5 mm	OV1.2L7H1	OV1.2L9H1	-	FOS0.8
■	1.5 mm		OV1.5L7H1	OV1.5L9H1	OV1.5L11H1	FOS1.1
■	2 mm		OV2L7H1	OV2L9H1	OV2L11H1	
		OV2SL7H1	OV2SL9H1	OV2SL11H1		

Auxiliary:
Not provided by Global D,
Standard attachment auxiliaries

- Elastomeric chain
- Elastic
- Metal ligature
- NiTi spring

Handling tools: specific ancillary materials

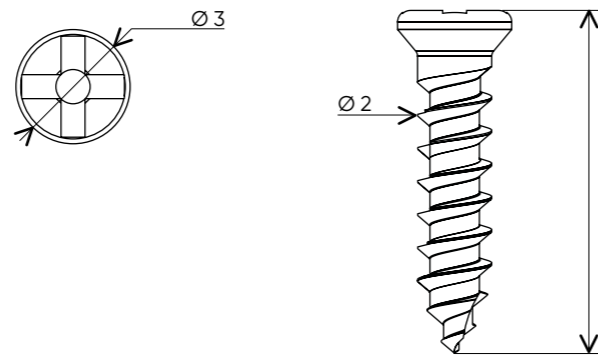
Description	Diameter of associated screw	Length	Ref. number
Bell wrench for screwdriver	1.5 mm 2 mm	Extra long	AXLCC3
		Short	ACC3
Contra-angle bell wrench		Extra Short	AXCC3
Manual bell wrench		Short	ACCM3
Cross-drive shaft for screwdriver	1.2 mm 1.5 mm	Short	ACTIK
	2 mm		ACT2K-2
Cross-drive shaft for contre angle	1.2 mm 1.5 mm	Extra Short	AXCTIK
	2 mm		AXCT2K-2
Ratchet wrench (see page 13)			DCCLIC2

Compatibilités :

Screw	screwdriver shaft	
VNAO2KLx	AXCT2K-2 ACT2K-2 ALT2K-2	
OVTPCV1.2Lx OVTPCV1.5Lx	AXCC2.2 ACC2.2 AXLCC2.2 ACCM2.2	
OVTPCP1.2Ly OVTPCP1.5Ly	AXCC3 ACC3 AXLCC3 ACCM3	
OVB1.5LyFz OVB2LyFz OVB2LyHz	AXCC3 ACC3 AXLCC3 ACCM3	AXCT2K-2 ACT2K-2 ALT2K-2
OV1.2LyHz OV1.5LyHz OV2SLyHz	AXCC2.2 ACC2.2 AXLCC2.2 ACCM2.2	AXCTIK ACTIK ALTIK

Screw for short cortical and submucosal technique

- Self-drilling thread
- Pre-drilling for lengths greater than 11mm
- Bone preservation
- Colour code to identify the diameter
- Prehension shaft/screw head insured
- Stability during screwing



Dr. Daniel CHILLES' Screw for «Short Cortical» technique - Ø 2 mm (Orthodontist - France)

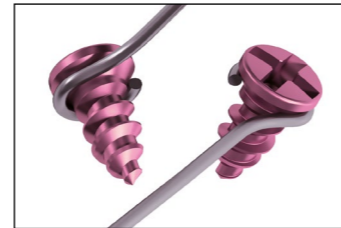
Color code	Ø	Cross-drive Ref. number				
		L 4 mm	L 5 mm	L 6 mm	L 7 mm	L 9 mm
■	2 mm	VNAO2KL4	VNAO2KL5	VNAO2KL6	VNAO2KL7	VNAO2KL9
		L 11 mm	L 13 mm	L 15 mm	L 17 mm	L 19 mm
		VNAO2KL11	VNAO2KL13	VNAO2KL15	VNAO2KL17	VNAO2KL19

Tightening torque: 40 Ncm

Auxiliary:

Not provided by Global D,
Standard attachment auxiliaries

- Metal ligature
- TMA arch Ø 0.45



Handling tools: specific ancillary materials



Axis	Print	Diameter of associated screw	Ref. number
Long	Cross-drive	2 mm	ALT2K-2

This screw is used for submucosal orthodontic anchorage, of CHILLES type or ramus anchorage.

Surgical protocol

1. Local anaesthesia
2. Incision with a scalpel blade over approximately twelve millimetres
3. Lift the soft tissues of the bone using a periosteal elevator up to the chosen site for screw placement
4. Screw blindly after fitting the ligation ring or loop of suture that will exit via the incision line
5. No sutures needed
6. Immediate orthodontic loading



Optional instruments

Screwdriver handle



Description	Ref. number
Handle for self - retaining shaft	MTM

Our ancillary tools (Bell wrench and Cross-drive shaft) are compatible with standard dental contra-angles (latch type connection), without requiring specific equipment, allowing simple and safe use at the chair.

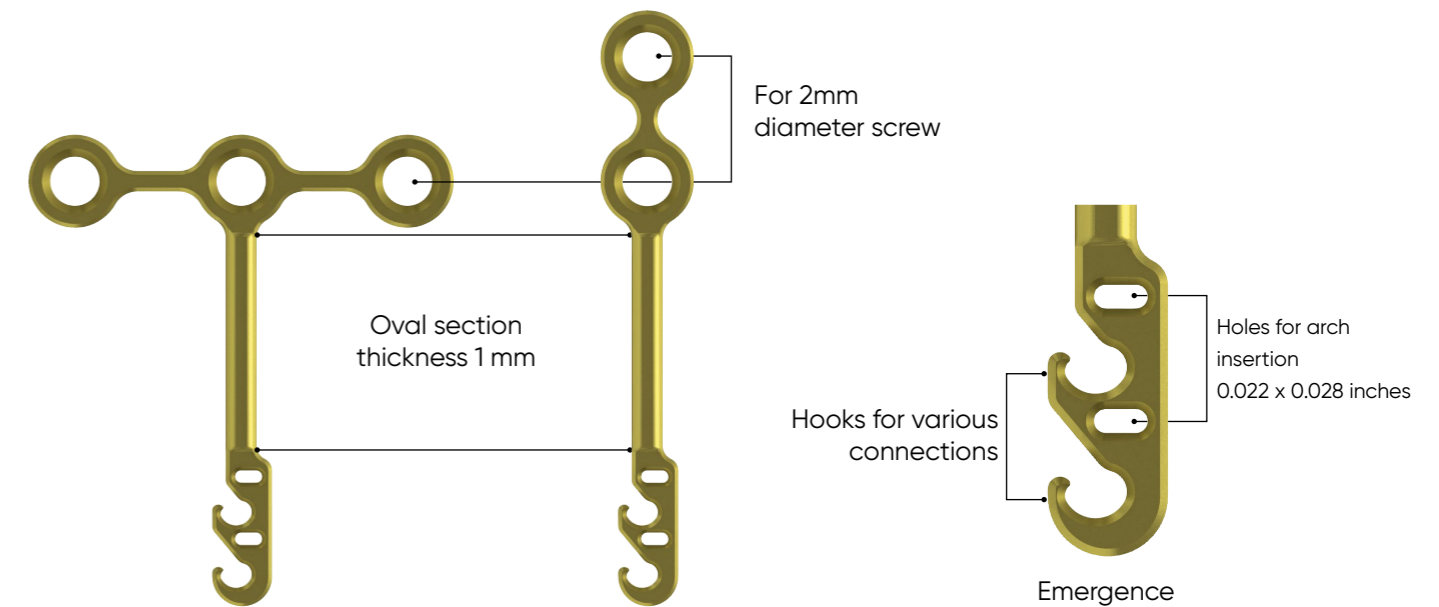
ANCHORAGE PLATES

THE PLATES

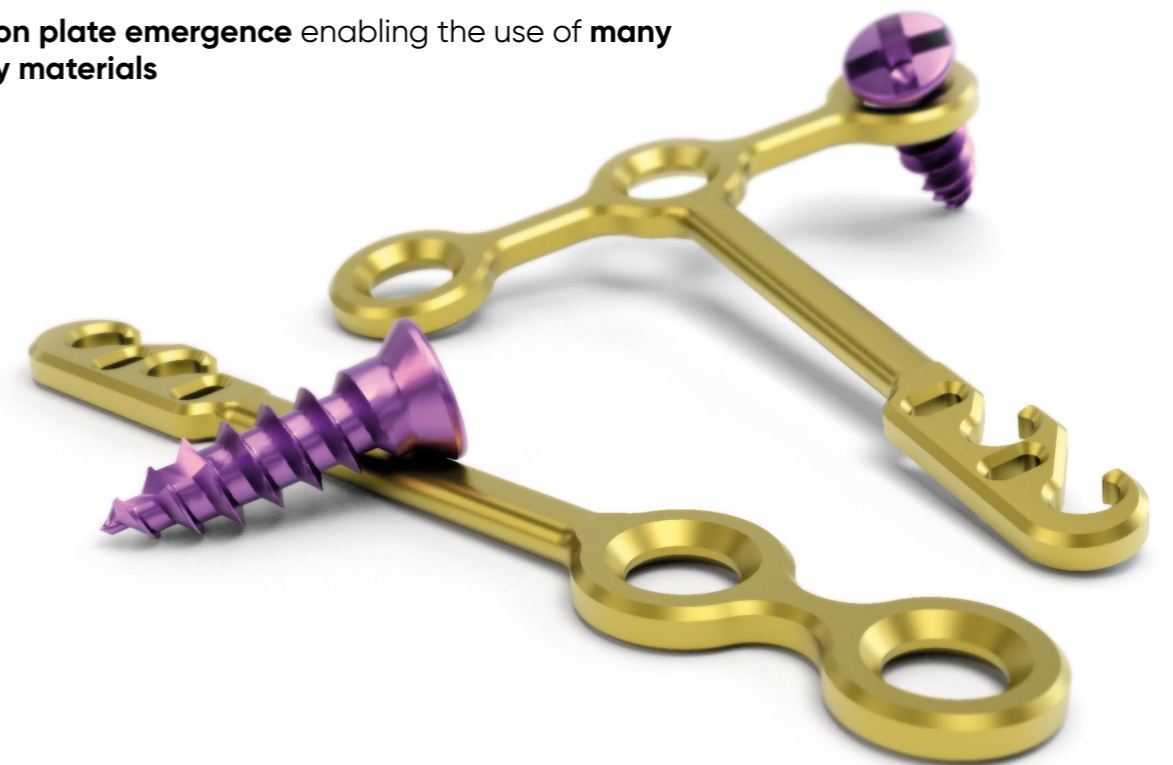
Presentation

Specific indications:

The plates are used to achieve movement of the entire dental arch or to reposition one or more teeth. They are positioned at a distance from the roots and make it possible to limit parasitic movements.



- **Grade 2 titanium** for plate conformation
- **2 shapes** of plate available in a variety of lengths
- **1 common plate emergence** enabling the use of **many ancillary materials**



The concept

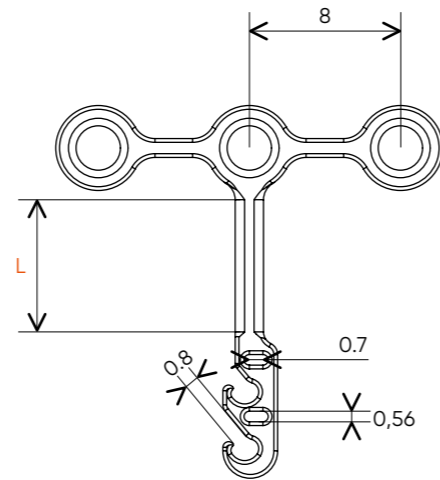
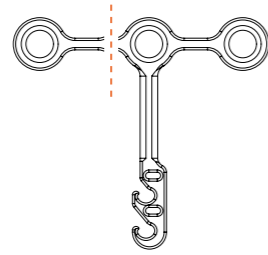
The use of anchorage plates allows for overall retraction using a single system, thus simplifying orthodontic mechanics.

They offer optimal control of tooth movement by limiting unwanted movement, ensuring only the desired movements are maintained.

Anchorage with plates is particularly recommended when the use of mini-screws proves difficult, insufficient, or does not allow for the achievement of certain therapeutic objectives.

T-shaped plate

T-shaped plate that can be cut into an L shape, to allow for a perfect fit to the anatomy.



Single T-shaped plate



Description	Ref. number			
	L 5 mm	L 7 mm	L 10 mm	L 12 mm
T-shaped plate	OAT5	OAT7	OAT10	OAT12

Packs for T-shaped plate

Packaging	Content	Ref. number
Sterile pack	1 plate + 2 screws*	EANAT5
		EANAT7
		EANAT10
		EANAT12
Non sterile pack	1 plate + 2 screws*	OPNAT5
		OPNAT7
		OPNAT10
		OPNAT12

*VNA02KL5 (self-drilling screw, Ø 2 mm and 5 mm length)

Handling tools



Description	Length	Ref. number
Screwdriver handle		MTM
Self-retaining shaft	Short	ACT2K-2
	Long	ALT2K-2

Auxiliary:

Not provided by Global D,
Standard attachment auxiliaries

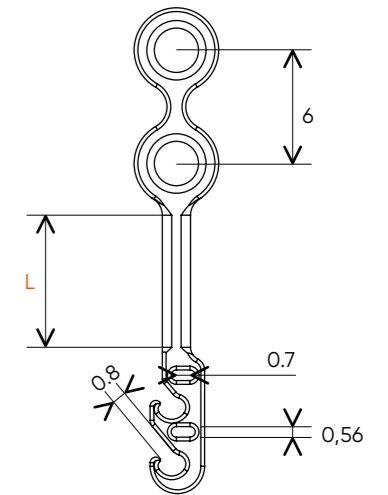
- Elastomeric chain
- Metal ligature
- 0.0215 x 0.0215 TMA arch
- Rectangular arch
- 0.022 x 0.028 or round 0.022
- NiTi spring

I-shaped plate

Single I-shaped plate



Description	Ref. number			
	L 5 mm	L 7 mm	L 10 mm	L 12 mm
I-shaped plate	OAI5	OAI7	OAI10	OAI12



Packs for I-shaped plate

Packaging	Content	Ref. number
Sterile pack	1 plate + 2 screws*	EANA15
		EANA17
		EANA10
		EANA12
Non sterile pack	1 plate + 2 screws*	OPNA15
		OPNA17
		OPNA10
		OPNA12

*VNA02KL5 (self-drilling screw, Ø 2 mm and 5 mm length)

Handling tools



Description	Length	Ref. number
Screwdriver handle		MTM
Self-retaining shaft	Short	ACT2K-2
	Long	ALT2K-2

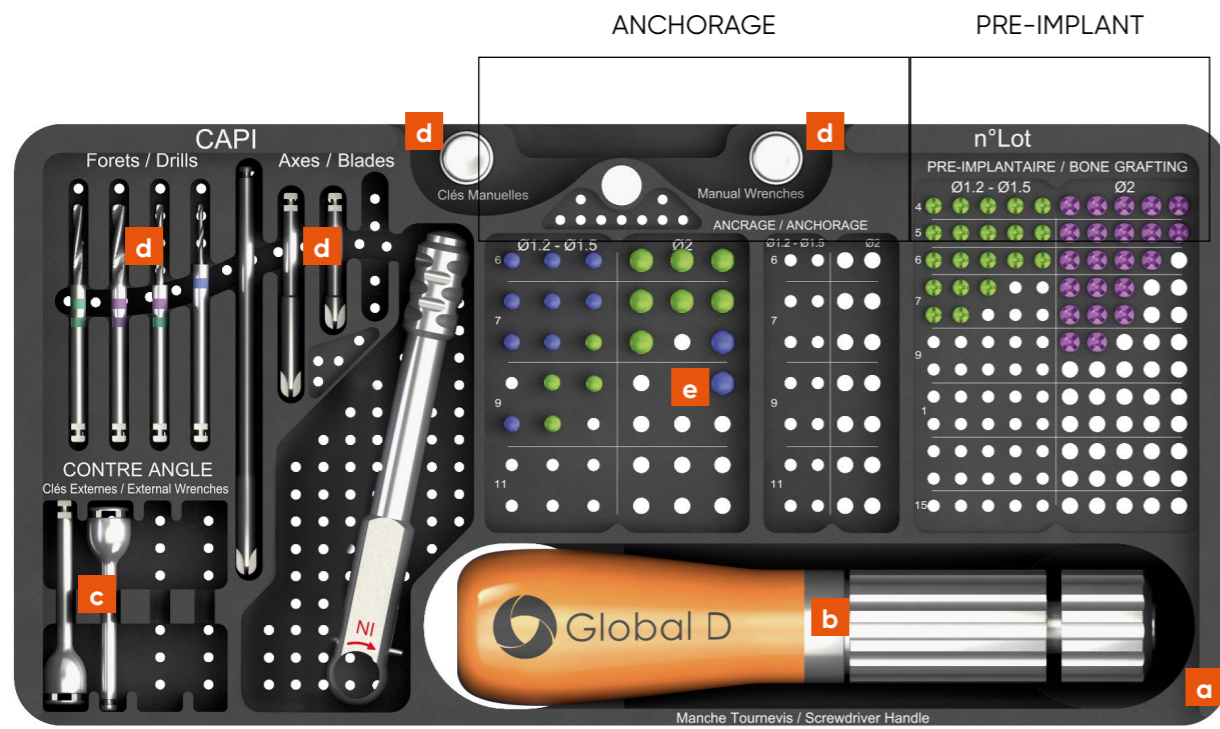
Auxiliary:

Not provided by Global D,
Standard attachment auxiliaries

- Elastomeric chain
- Metal ligature
- 0.0215 x 0.0215 TMA arch
- Rectangular arch
- 0.022 x 0.028 or round 0.022
- NiTi spring

Standard contents of the kit

Réf : BR-PR-CAPI



Example of kit composition

- a** Autoclavable kit (CAPI)
- b** 1 titanium screwdriver handle (MTM)
- c** 2 bell wrenches
- d** 1 manual bell wrench, 1 shaft or 1 drill bit
- e** Mix of screws to be combined according to your needs, in addition to the CAPI.

Also available:

- Drill Bits
- Shafts

A series of horizontal dashed lines for taking notes.

DOMAINES D'ACTIVITÉ FIELDS OF APPLICATION

Implantologie | Implantology
Chirurgie orale | Oral surgery
Chirurgie pré-implantaire | Pre-implant surgery
Chirurgie orthognathique | Orthognathic surgery
Chirurgie reconstructrice | Reconstructive surgery
Chirurgie traumatologique de la face | Facial trauma surgery
Chirurgie carcinologique | Cancer surgery
Cranio-chirurgie | Craniomaxillofacial surgery
Orthodontie | Orthodontics
Formation | Training



Global D
ZI de Sacuny
118 Avenue Marcel Mérieux
Brignais - France
Tél. +33 (0)4 78 56 97 0
fax +33 (0)4 78 56 01 63
www.globald.com

OC-ANCOTEK-EN-EDI-26
CATALOG-0101-V03-01